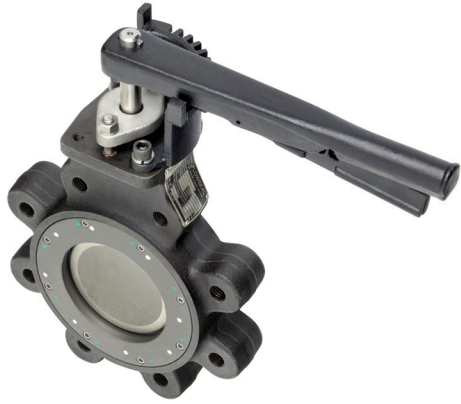
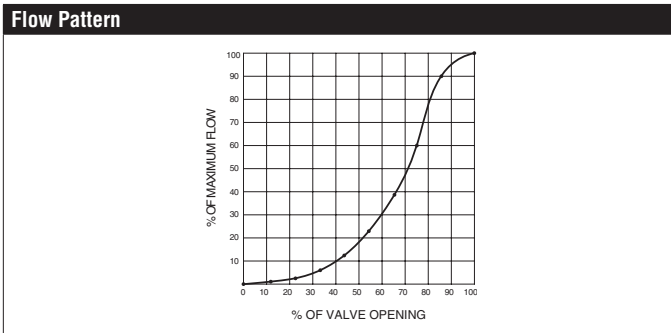


F650-150SHP+HND05

Reinforced Teflon Seat, 316 Stainless Steel



Technical Data	
Service	chilled or hot water, up to 60% glycol, steam
Flow Characteristic	modified equal percentage, unidirectional
Controllable Flow Range	Quarter turn, mechanically limited
Size [mm]	2" [50]
End Fitting	For use with ASME/ANSI B16.5 flanges
Body	carbon steel full lug (ASME B16.34)
Seat	RPTFE
Shaft	17-4 PH stainless steel
Bushings	glass backed PTFE
Disc	316 stainless steel
Body Pressure Rating [psi]	ASME/ANSI Class 150
ANSI Class	ANSI 150
Number of Bolt Holes	4
Lug Threads	5/8-11 UNC
Maximum Steam Inlet (Rotary actuators)	50 psi (345 kPa)
Media Temperature Range (Water)	-22°F to 400°F [-30°C to 204°C]
Close-Off Pressure	285 psi
Ambient Temperature Range	-22°F to 122°F [-30°C to 50°C]
Rangeability	100:1
Maximum Velocity	32 FPS
Cv	102
Weight	14.7 lbs [6.6]
Leakage	0%
Servicing	maintenance free



Application

1. Valves are rated at 285 psi differential pressure in the closed position @100°F media temperature.
2. Valves are furnished with lugs tapped for use with ANSI Class 125/150 flanges conforming to ANSI B16.5 Standards.
3. 2-Way assemblies are furnished assembled, calibrated and tested, ready for installation.
4. Dimension "D" allows for actuator(s) removal without the need to remove the valve from the pipe.
5. Weather shields are available, dimensional data upon request.
6. Flange gaskets (2 required, not provided with valve) MUST be used between valve and ANSI flange.
7. Flange bolts are not included with the valve. These are furnished by others.

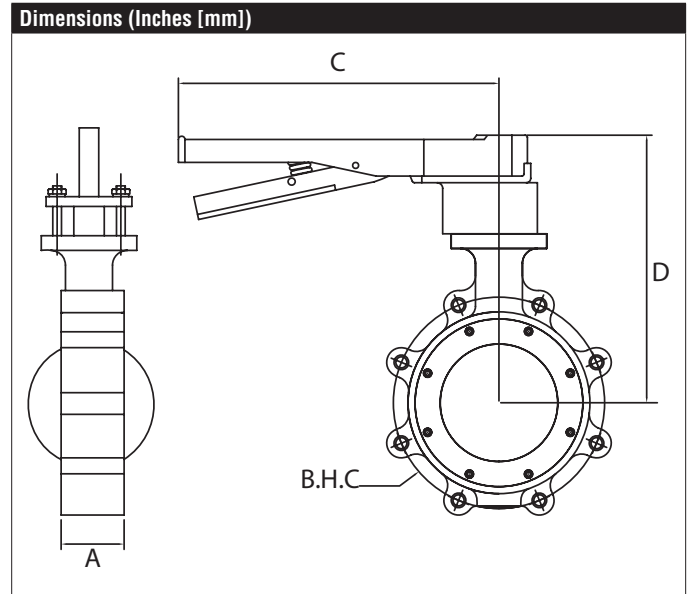
Product Features

Reinforced Teflon Seat, 316 Stainless Disc, Bubble tight shut-off to ANSI Class 150 Standards, Long stem design allows for 2" installation minimum, Valve face-to-face dimensions comply with API 609 & MSS-SP-68, Designed to be installed between ASME/ANSI B flanges.

Jobsite Note

Valve assembly should be stored in a weather protected area prior to installation. Reference the butterfly valve installation instruction for additional information.

Flow/Cv								
Cv 10°	Cv 20°	Cv 30°	Cv 40°	Cv 50°	Cv 60°	Cv 70°	Cv 80°	Cv 90°
1.5	6.1	14	26	39	56	77	99	102



A	C	D
1.75" [44]	10.90" [277]	9.5" [241]

Date created, 01/19/2017 - Subject to change. © Belimo Aircontrols (USA), Inc.