

# SDC-H1

## Duct humidity transmitter

### Features

- Replaceable sensor element
- Humidity measurement for air ducts
- Minimum and maximum value memory
- 0...10 V, 0...20mA or 2...10V, 4...20mA measuring signals selectable with jumpers
- Optional alternative signal ranges programmable
- Selectable averaging signal
- Optional LCD display (OPC-S) or external display (OPA-S)
- Status LED



### Applications

- Humidity measurement for supply and return air ducts in heating, ventilation and air conditioning applications.
- Recording of minimum and maximum values for critical environments
- Supervision of critical humidity

### Humidity transmitter

A unique capacitive sensor element is used for measuring relative humidity. The applied measuring technology guarantees excellent reliability and long term stability. The microprocessor samples the humidity once per second. It calculates an averaging signal over a preset number of seconds and generates the output signal. Standard output signal range and types may be selected by jumpers. Standard signal ranges are: 0...10VDC, 0...10VDC, 4...20mA and 0...20mA. Other ranges can be defined by using a programming tool (OPA-S or OPC-S). A version with display is possible by ordering the integrated display accessory OPC-S.

### Minimum and maximum values:

Using a display and programming accessory, the user has the option to read out and reset minimum and maximum values. The minimum and maximum values may as well be used as output signals. The minimum and maximum values are saved into the EEPROM and are available after a power interruption.

### Ordering

Per default a sensor element with 3% RH accuracy and a PG9 cable gland (item AMC-1) for cables  $\varnothing$  4 – 8 mm (AWG 6-1) is included. Contact your local sales contact to order sensing elements with different accuracies or if you prefer a sensor with conduit connector or a built in display module.

### Transmitter (default)

Item name	Item code	Description/Option
SDC-H1-08-A3-1	40-30 0146	Transmitter for duct mounting: probe length 8cm (3"), incl. cable gland AMC-1 and humidity sensor element AES3-HT-A3
SDC-H1-16-A3-1	40-30 0147	Transmitter for duct mounting: probe length 16cm (6.2"), incl. cable gland AMC-1 and humidity sensor element AES3-HT-A3

### Sensor element (for replacement only)

Item Name	Item Code	Humidity Accuracy [%RH]	Temperature Accuracy [K] @25°C (77°F)	Description/Option
AES3-HT-A2	40-50 0102	± 2%	±0.5°	Humidity - temperature sensor element
AES3-HT-A3	40-50 0103	± 3%	±0.4°	
AES3-HT-A5	40-50 0104	± 5%	±0.3°	

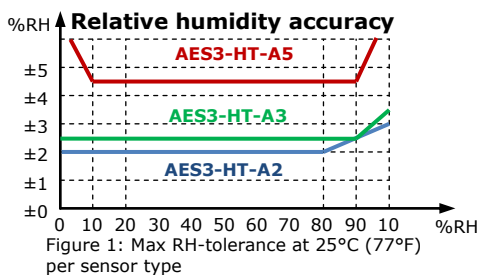
### Accessories

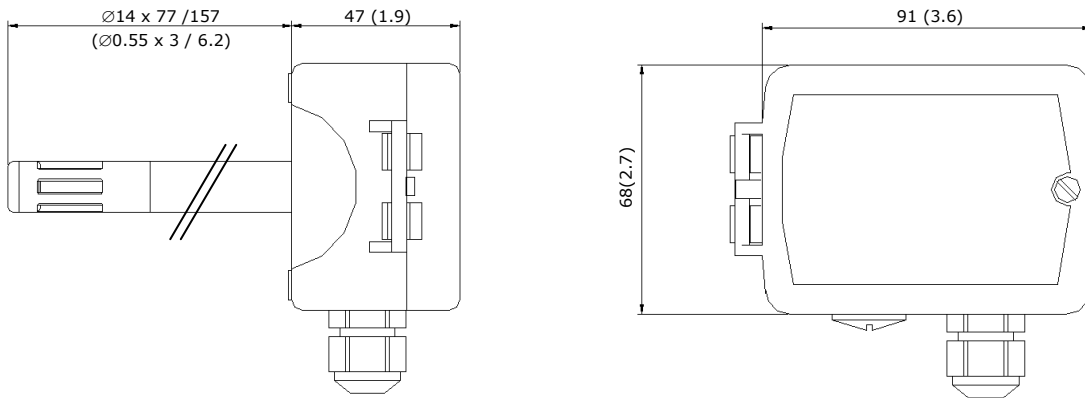
Item name	Item code	Description/Option
OPC-S	40-50 0029	Add-on display & programming module
OPA-S	40-50 0006	External display module
AMS-1	20-10 0116	Weather shield to protect the sensor element
AMC-2	40-50 0074	Conduit connector NPT 1/2

## Technical Specification

**Warning! Safety advice!** This device is intended to be used for comfort applications. Where a device failure endangers human life and/or property, it is the responsibility of the owner, designer and installer to add additional safety devices to prevent or detect a system failure caused by such a device failure. The manufacturer of this device cannot be held liable for any damage caused by such a failure. Failure to follow specifications and local regulations may endanger life, cause equipment damage and void warranty.

Power supply	Operating voltage	24VAC 50/60 Hz $\pm$ 10%, 24VDC $\pm$ 10%	
	Transformer	SELV to HD 384, Class II, 48VA max	
	Power consumption	Max 2 VA	
	Terminal connectors	For wire 0.34...2.5 mm <sup>2</sup> (AWG 22...13)	
Sensing probe	Humidity sensor	Capacity sensor element	
	Range	0...100%RH	
	Measuring accuracy	See figure 1	
	Hysteresis	$\pm$ 1%	
	Repeatability	$\pm$ 0.1%	
Signal outputs	Stability	< 0.5% / year	
	Analog outputs		
	Output signal	0...10VDC or 0...20mA	
	Resolution	10 Bit, 9.7 mV, 0.019.5 mA	
Environment	Maximum load	Voltage: $\geq$ 5 k $\Omega$ Current: $\leq$ 250 $\Omega$	
	Operation	To IEC 721-3-3	
	Climatic conditions	class 3K5	
	Temperature	-40...70°C (-40...158°F)	
Standards	Humidity	<95% RH non-condensing	
	Transport & storage	To IEC 721-3-2 and IEC 721-3-1	
	Climatic conditions	class 3K3 and class 1K3	
	Temperature	-40...80°C (-40...176°F)	
	Humidity	<95% RH non-condensing	
	Mechanical conditions	class 2M2	
General	conformity EMC directive Low voltage directive	2014/30/EU	
		2014/35/EU	
	Product standards automatic electrical controls for household and similar use	EN 60730-1	
	Electromagnetic compatibility for domestic and industrial sector	Emissions: EN 60730-1 Immunity: EN 60730-1	
	Degree of protection according to EN 60529	IP60	
	Mounted probe down with AMS-1	IP63	
	Safety class	III (IEC 60536)	
	Housing Materials	Cover, back part	PC+ABS (UL94 class V-0)
	Filter material	PTFE coated 1 $\mu$ m pores	
	RoHS compliant according to	2011/65/EU	
	Dimensions (H x W x D) Transmitter case	68 x 91 x 47mm (2.7" x 3.7" x 1.9")	
	Probe	$\varnothing$ 14 x 77/157 mm ( $\varnothing$ 0.55 x 3/6.2")	
	Weight (incl. package) SDC-H1-08-A3-1	229g (8.1oz)	
	SDC-H1-16-A3-1	264g (9.3oz)	



**Dimensions mm(inch)****Installation and storage****Mounting location**

The transmitter should be installed on the duct in an area where the air stream is well mixed:

- Locate a supply air sensor two or three meters downstream from the nearest fan and coil.
- Mount the return air sensor close to the air inlet but downstream from a return fan if one is present.

**Mounting instruction / replacing the sensor element**

See installation sheet no. 70-000525 ([www.vectorcontrols.com](http://www.vectorcontrols.com)).

**Warning about storage, packaging and usage environment**

The sensing part is a polymer, which measures the humidity in the ambient air. For proper sensor operation some mandatory precautions need to be taken during storage, packaging and usage.

The transmitter and its sensing element should not be packaged, stored or used in out-gassing plastic materials, which could cause sensor contamination. In particular, it is recommended not to use any glue or adhesive tapes (Sellotape, Scotch-Tape, Tesa-Film, etc.) within the package or close proximity of the sensor. Foamed materials often cause contamination problems and should not be used to package the transmitter. Best packaging material is a simple cardboard box or a deep-drawn plastic case in a cardboard box.

## Operation of the –OP type sensors

### Standard display:

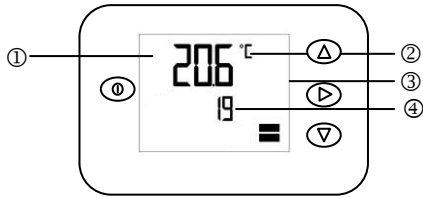
Single input transmitters: The current, minimum or maximum value is shown in the large digits. The small digits indicate the active input (IN 1). The vertical bar on the right side indicates the actual output voltage or current in 10% steps.

### Indication and reset of minimum and maximum values

Activate the desired transmitter for dual transmitter by pressing the RIGHT key. Press UP to display maximum values, press DOWN key to display minimum values.

Resetting minimum or maximum values: Pressing either UP or DOWN keys for longer than 3 seconds while the minimum or maximum values are displayed.

### Display



#### Legend:

- 1: 4-digit display of current value, minimum, maximum or control parameter
- 2: Unit of displayed value, °C, °F, % or none
- 3: Vertical display of output or input signal with a resolution of 10%
- 4: 4-digit display of current value or control parameter

### Operation keys:

- ⊖ LEFT key: Exit from parameter menu
- △ UP key: Display maximum values, Press for more than 2 seconds resets maximum value
- ▽ DOWN key: Display minimum values, Press for more than 2 seconds resets minimum value
- ▷ RIGHT key: Select transmitter, for transmitters with more than one input.

## Configuration

The transmitter can be adapted to fit perfectly into any application by adjusting the software parameters. The parameters are set with the operation terminals OPA-S or OPC-S. The OPA-S may also be used as remote indicator.

### Configuration parameters

The parameters are password protected. The parameters can be changed as follows:

1. Press UP and DOWN key simultaneously for three seconds. The display will indicate CODE.
2. Select a password using UP or DOWN keys. Dial **09** in order to get access to the configuration parameters. Press the RIGHT key after selecting the correct password.
3. Once logged in, choose IP for input configuration or OP for output configuration using UP or DOWN. Press the RIGHT key after selection.
4. The parameters are now displayed. The small digits show the parameter number, the large one its value.
5. Select the parameters with the UP/DOWN keys. Change a parameter by pressing the RIGHT key. The MIN and MAX symbols show up and indicate that the parameter may be modified now. Use UP and DOWN key to adjust the value.
6. After you are done, press RIGHT or LEFT key in order to return to the parameter selection level.
7. Press the LEFT key again so as to leave the menu. The unit will return to normal operation if no key is pressed for more than 5 minutes.
8. The parameters and its values depend on the transmitter. Please use the respective datasheet for the list of parameters.

### Input configuration

Parameter	Description	Range	Default
IP 00	H1: Show percent	ON, OFF	ON
IP 01	H1: Samples taken for averaging control signal	1...255	10
IP 02	H1: Calibration	-10...10%	0

### Output configuration

Parameter	Description	Range	Default
OP 00	AO1: Humidity: Configuration of output signal: 0 = Feedback humidity input, 1 = Feedback humidity minimum value 2 = Feedback humidity maximum value	0...2	0
OP 01	AO1: Humidity: Minimum limitation of output signal	0...max%	0%
OP 02	AO1: Humidity: Maximum limitation of output signal	min...100%	100%

**Output signal configuration**

The analog output signal type may be configured with a jumper for 0...10VDC or 0...20 mA control signals. The jumpers are located next to the terminal connector of each analog output. See table below for jumper placement. The factory setting is to 0...10VDC.

Signal type	JP1
0...10 V	(1-2)
0...20 mA	(2-3)

The signal range may be set with JP3 for both analog outputs. JP3 will only operate if the output range specified with OP01 and OP02 is left at the default position of 0...100%. With any other setting the position of JP3 has no influence and the range defined with the output parameters applies.

Signal range	JP3
0...10 V, 0...20 mA	(1-2)
2...10 V, 4...20 mA	(2-3)

**Jumper settings**

