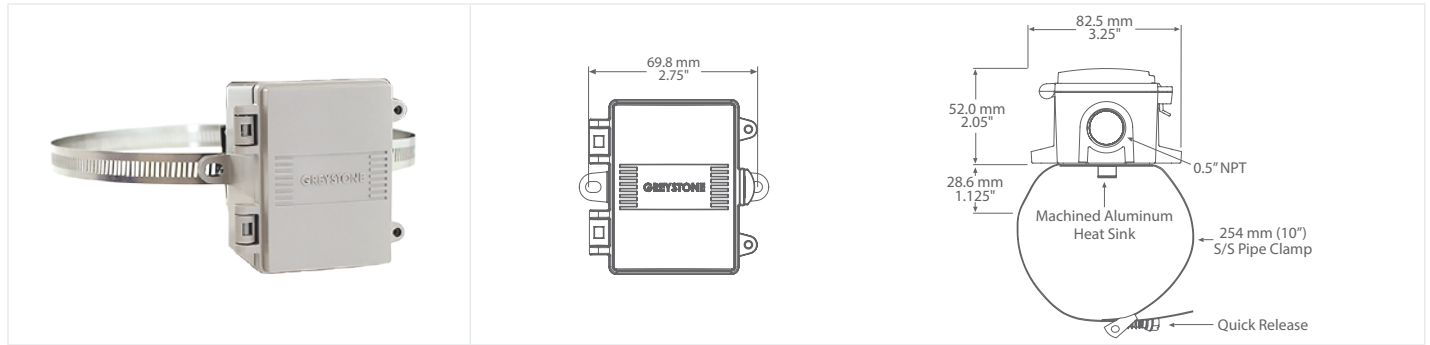


HIGH ACCURACY STRAP-ON TEMPERATURE SENSOR



HATSSO SERIES

PRODUCT DESCRIPTION

The high accuracy single point strap-on temperature sensor has a precision sensor bonded to a 38 mm x 12.7 mm (1.5" x 0.5") machined aluminum heat sink. A 254 mm (10") S/S Pipe clamp is provided to secure the assembly to various sizes of pipe. All probes are constructed to provide excellent heat transfer, fast response and are potted to resist moisture penetration.

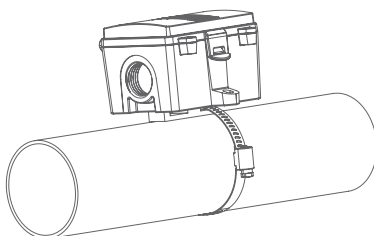
TYPICAL INSTALLATION

For complete installation and wiring details, please refer to the product installation instructions.

The single point sensor series can be mounted directly to various sizes of pipes and secured using the 10" S/S pipe clamp.

If necessary, remove a section of insulation from the pipe. The 10" S/S pipe clamp is a "Quick Release" type and can be separated by moving the tightening screw so that it is perpendicular to the clamp and sliding the clamp apart. Position the aluminum plate on the pipe so it makes the best contact, wrap the clamp around the pipe and re-assemble and tighten. Any excess clamp may be cut off.

Wiring connections are made inside the enclosure using a 2 or 3 wire pigtail.



SPECIFICATIONS

SENSOR TYPE	Various Thermistor or RTD
SENSOR ACCURACY	RTD Class A: $\pm 0.15^{\circ}\text{C}$ ($\pm 0.27^{\circ}\text{F}$) @ 0°C (32°F) RTD 1/3 DIN: $\pm 0.1^{\circ}\text{C}$ ($\pm 0.18^{\circ}\text{F}$) @ 0°C (32°F) RTD 1/10 DIN: $\pm 0.03^{\circ}\text{C}$ ($\pm 0.054^{\circ}\text{F}$) @ 0°C (32°F) NTC Thermistor Type 39: $\pm 0.05^{\circ}\text{C}$ ($\pm 0.09^{\circ}\text{F}$), 0 to 70°C (32 to 158°F) NTC Thermistor Type 55: $\pm 0.03^{\circ}\text{C}$ ($\pm 0.054^{\circ}\text{F}$), 0 to 70°C (32 to 158°F) NTC Thermistor Type 40/46: $\pm 0.1^{\circ}\text{C}$ ($\pm 0.18^{\circ}\text{F}$), 0 to 70°C (32 to 158°F)
PROBE SENSING RANGE	RTD: -20 to 100°C (-4 to 212°F) Thermistors: -40 to 100°C (-40 to 212°F)
AMBIENT OPERATING RANGE	-40 to 50°C (-40 to 122°F), 5 to 95 %RH non-condensing
WIRE MATERIAL	RTD: FT-4, 22 AWG, 3 Wire Thermistor: PVC insulated, parallel bonded, 22 AWG, 2 Wire
PROBE MATERIAL	Machined aluminum heat sink
PROBE SIZE	38mm x 12.7 mm (1.5" x 0.5")
ENCLOSURE	A: ABS, UL94-V0, IP65 (NEMA 4X) C: same as A, with a terminal block E: Same as C, with thread adapter and cable gland fitting
TERMINATION	A: Pigtail, 2 or 3 wire C & E: Terminal block, 2 or 3 wire
COUNTRY OF ORIGIN	Canada

NOTE: The sensor accuracies listed in the specifications section apply to the sensing element only prior to product assembly and may not be reflected in the complete assembly.

Due to the measurement uncertainty, it is possible, that the true resistance value of the single delivered sensor at 0°C can be out of the defined tolerance class. Profiling each assembly to take into consideration lead wire and the attachment method should be completed.

ACCESSORIES - INCLUDED WITH E ENCLOSURE OPTION





ORDERING		
PRODUCT	HATSSO	High Accuracy Strap-On Temperature Sensor
ENCLOSURE	A	ABS, with hinged and gasketed cover
	C	Same as A, with terminal block
	E	Same as C, with thread adapter and cable gland fitting
SENSOR	18X	1000 Ω Platinum, 3 wire, IEC 751, 385 Alpha, thin film, Class A
	48X	1000 Ω Platinum, 3 wire, IEC 751, 385 Alpha, thin film, 1/3 DIN
	22X	1000 Ω Platinum, 3 wire, IEC 751, 385 Alpha, thin film, 1/10 DIN
	39X	10,000 Ω Type 2, NTC Thermistor, ±0.05°C
	55X	10,000 Ω Type 2, NTC Thermistor, ±0.03°C
	40X	10,000 Ω Type 3, NTC Thermistor, ±0.1°C
	46X	20,000 Ω NTC Thermistor, ±0.1°C

PART NUMBER
HATSSO

NOTE: Greystone Energy Systems, Inc. reserves the right to make design modifications without prior notice.

RoHS
COMPLIANT



Greystone Energy Systems, Inc.
150 English Drive, Moncton,
New Brunswick, Canada E1E 4G7

Ph: +1 (506) 853-3057 Fax: +1 (506) 853-6014
North America: 1-800-561-5611
E-mail: mail@greystoneenergy.com