

**OPU2-T(H)-VC
Operation terminal for TCX2-Series Controller**

Features

- Remote access to controller state, setpoints, inputs and outputs
- Access to time schedule and clock settings
- Access to configuration parameters
- RS485 peer to peer communication according to proprietary protocol
- The terminal adapts itself to the TCX2 controller used. One terminal thus fits all the configuration variations of the TCX2 product range.
- Internal temperature sensor
- Internal humidity sensor (H version) with AES3-HT-A3 for example
- OPU2-T(H)-VC version with one passive and one active input

Applications

- Configuration and operation of TCX2 controllers
- Remote supervision (RS485)

General Description

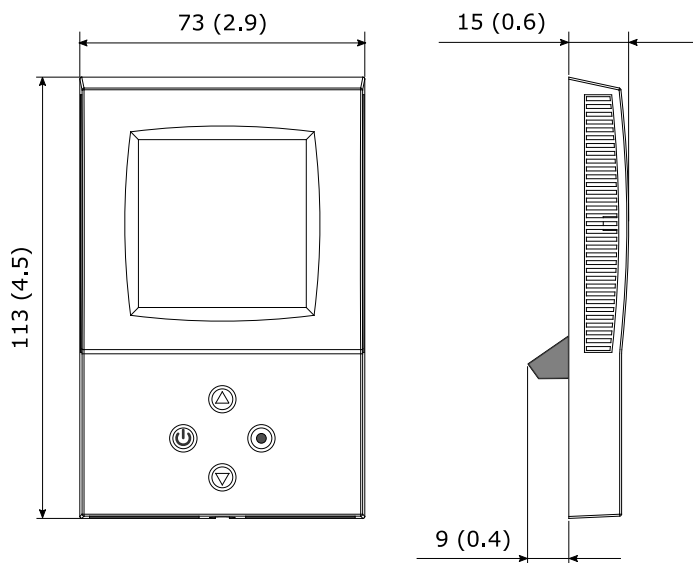
The OPU2-T(H)-VC is a remote display and operation terminal for TCX2 series controllers.



Ordering

Product Name	Product No.	Functions	Description
OPU2-T-VC	40-50-0100	Temperature sensor	Operation terminal for X2-type controller with peer to peer RS485 communication
OPU2-TH-VC	40-50-0101	Temperature and humidity sensor	

Dimensions [mm] (in)

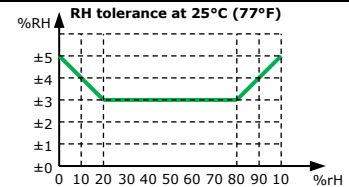


Technical Specification

Important notice and safety advice

This device is for use as operating controls. It is not a safety device! Where a device failure endangers human life and/or property, it is the responsibility of the client, installer and system designer to add additional safety devices to prevent a system failure caused by such a device failure. Ignoring specifications and local regulations may cause equipment damage and endangers life and property. Tampering with the device and misapplication will void warranty.

Power Supply	Operating voltage	10-30 VDC, 10-26 VAC	
	Power consumption	Max 1VA	
	Electrical Connection	Terminal Connectors, wire 0.34...2.5 mm ² (AWG 24...12)	
Inputs	Internal temperature Range	0...50 °C (32...122 °F)	
	Accuracy	0.5 K	
	Humidity Sensor: Range	Capacity sensor 0...100 % RH	
	Measuring Accuracy	See Figure to the right	
	Hysteresis	± 1%	
	Repeatability	± 0.1%	
Stability	< 0.5% / year		
Communication	Hardware interface	RS485 in accordance with EIA/TIA 485	
	Cabling	Shielded Twisted Pair (STP).	
	Impedance	balanced 100 to 120 ohm	
	Nominal capacitance	50 pF/m 16pF/ft or lower	
Environment	Operation Climatic Conditions	To IEC 721-3-3 class 3 K5	
	Temperature	0...50 °C (32...122 °F)	
	Humidity	<95 % r.H. non-condensing	
	Transport & Storage Climatic Conditions	To IEC 721-3-2 and IEC 721-3-1 class 3 K3 and class 1 K3	
	Temperature	-25...70 °C (-13...158 °F)	
	Humidity	<95 % r.H. non-condensing	
Standards	conformity	2004/108/EC	
	EMC directive	2006/95/EC	
	Low voltage directive		
	Product standards		
	Automatic electrical controls for household and similar use	EN 60 730 -1	
	Pollution Class	Normal acc. to EN 60 730	
	Degree of Protection	IP30 to EN 60 529	
	Safety Class	III	
	General	Dimensions (H x W x D)	113 x 73 x 15 mm (4.5" x 2.9" x 0.6")
		Housing Material	Fire proof ABS plastic
Mounting Plate		Zinc coated steel	
Standard Color		White RAL 9003	
Weight (inc. package) OPU2-T(H)-VC		188.6 g (6.65 oz)	



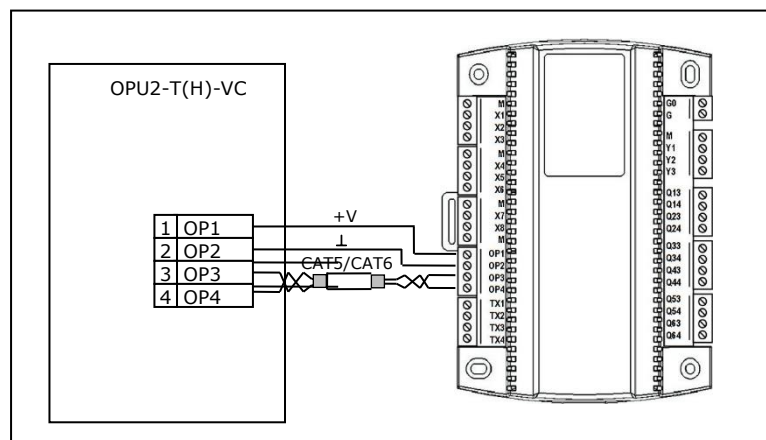
Connection Diagram

Description

OP1-OP4 Connection to TCX2 controller via RS485

Installation

See installation sheet no. 70-000542 (www.vectorcontrols.com).



Empty page.

**Smart Sensors and Controls
Made Easy!**

Quality - Innovation – Partnership

Vector Controls LLC
USA

infous@vectorcontrols.com
www.vectorcontrols.com

